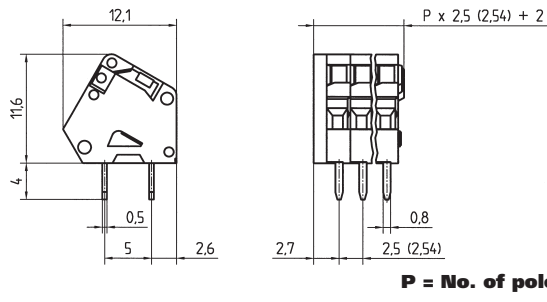
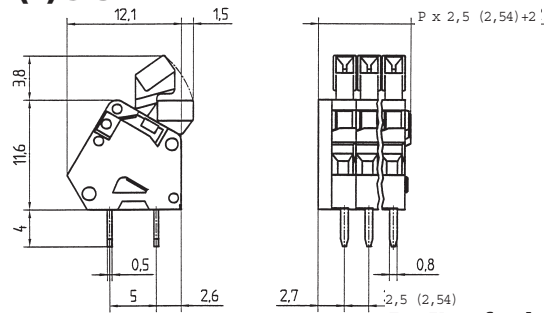


AK(Z) 3191

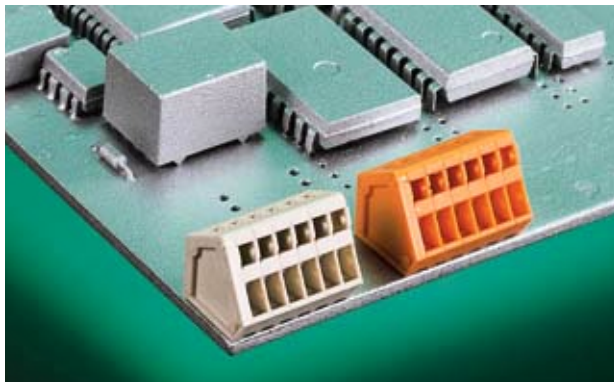


P = No. of poles

AK(Z) 3191 KD

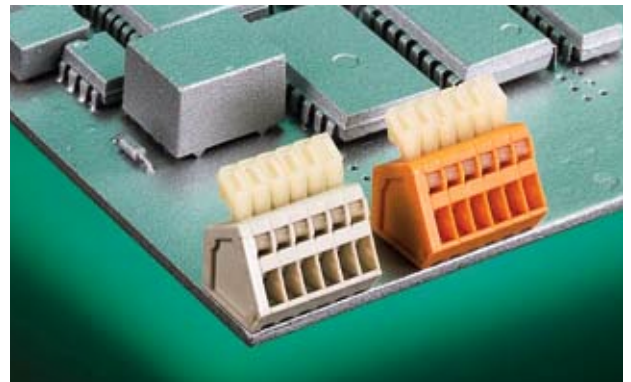


P = No. of poles



**AK(Z) 3191/.. - 2,5 (2,54)
slade grey (orange)**




**2-n poles, Spacing 2,5 mm or 2,54 mm
insert required no. of poles ..**



**AK(Z) 3191/.. KD - 2,5 (2,54)
slade grey (orange)**

**2-n poles, Spacing 2,5 mm or 2,54 mm
insert required no. of poles ..**

Ratings:

			
	UL 1059	CSA 22.2 No. 158	EN 60998
Rated Voltage	150 V	150 V	130 V
Rated Current	4 A	4 A	9 A (T60)
Wire Size	AWG 28-20	AWG 28-20	0,5 mm ²
Test Voltage			1,25 kV

Max. Rated Cross Section

Single Wire (solid)	0,5 mm ²
Stranded Wire (flexible)	on request
Stranded wire with Ferrules	on request




Dimensions

Spacing	2,5 mm (2,54 mm)
PCB Hole Diameter	1,1 mm (2x)
Stripped Length	5,0 mm

Materials

Insulating Material	PA
Flammability Class	UL94 V-0
Temperature Range	-30°C/+105°C
Cage clamp	stainless steel
Wire Guard	Cu
Colour	
slade grey (orange)	RAL 7032 (2011)

Ratings:

			
	UL 1059	CSA 22.2 No. 158	EN 60998
Rated Voltage	150 V	150 V	130 V
Rated Current	4 A	4 A	9 A (T60)
Wire Size	AWG 28-20	AWG 28-20	0,5 mm ²
Test Voltage			1,25 kV

Max. Rated Cross Section

Single Wire (solid)	0,5 mm ²
Stranded Wire (flexible)	on request
Stranded wire with Ferrules	on request

Dimensions

Spacing	2,5 mm (2,54 mm)
PCB Hole Diameter	1,1 mm (2x)
Stripped Length	5,0 mm

Materials

Insulating Material	PA
Flammability Class	UL94 V-0
Temperature Range	-30°C/+105°C
Cage clamp	stainless steel
Wire Guard	Cu
Colour	
slade grey (orange)	RAL 7032 (2011)